



Premium*Lift*

Ultra Low Bed





↑ 67mm
FROM THE FLOOR

TGA Health Safety
Regulation
APPROVED

Ultra Low Bed

Ultra Safe Design

No more injuries from falling out of bed!

PremiumLift Ultra Low Bed is a unique system, which allows the platform to be lowered to as little as 6.7cm from ground level.

The lowering rate will automatically reduce when it reaches 120mm from floor level, to allow the operation to be stopped and the bed raised before any limb or object becomes trapped, ensuring complete user and patient safety.

PremiumLift Ultra Low Bed is backed by a 10 year limited warranty.





Specifications

PremiumLift Ultra Low Bed			
Overall Dimensions	2250mm x 900mm	Trendelenburg	20 Degrees
Mattress Platform	2000mm x 900mm	Reverse Trendelenburg	20 Degrees
Low Height	67mm	Safe Working Load	185 kg
High Height	640mm	Weight / Mass	85 kg
Backrest Angle	0 – 70 Degrees	Castors	75mm Twin wheel
Knee Break Angle / Thigh	0 – 38 Degrees	Knee Break Angle / Calf	0 – 25 Degrees

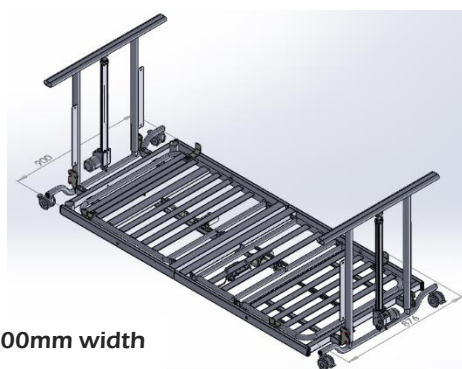
Functions & Features

STANDARD FEATURES

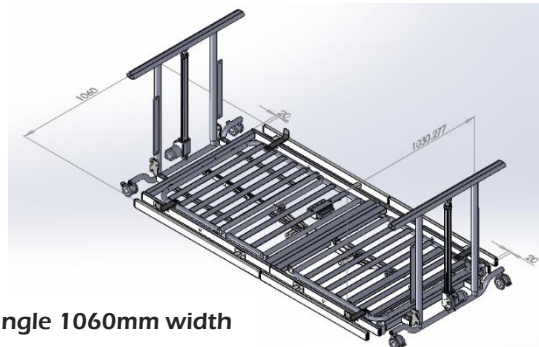
- Ultra low height – 67mm
- Limoss Motors (German Designed)
- Electric Backrest, Knee bend and Height adjustment
- Trendelenburg and reverse Trendelenburg
- Integrated base extension
- Standard Head and Foot Boards
- Transport Kit
- ISO Certified
- TGA Approved
- Battery Backup
- 10 year limited warranty
- SWL 185kg

OPTIONAL FEATURES

- King Single width extension
- Self Help Pole
- Fall Mat



Single 900mm width



King Single 1060mm width

Premium *Lift*

Premium *Lift*

Address: 7/112 Colemans Road, Carrum Downs VIC 3201 Australia

T 1800 771 381

E sales@premiumlift.com.au

www.premiumlift.com.au

ARTG No: 310585

All parts and data continually undergo further development and may therefore deviate from the details given.

© Copyright PremiumLift
Coda Furniture Holding Pty Ltd

Our Full Terms & Conditions are available by request or can be found on our Website.
PremiumLift reserves the right to alter or amend this document without notice

Distributor Stamp:

